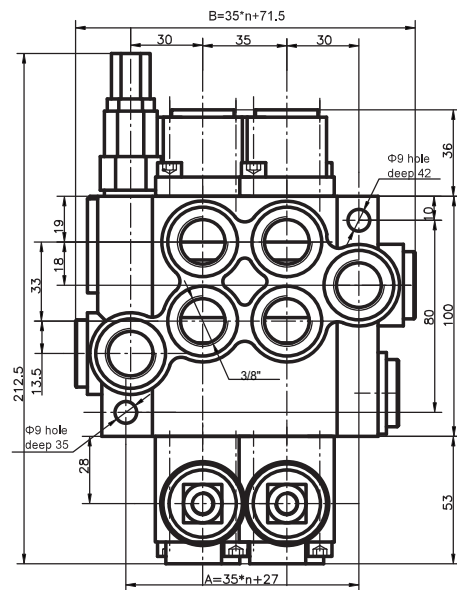
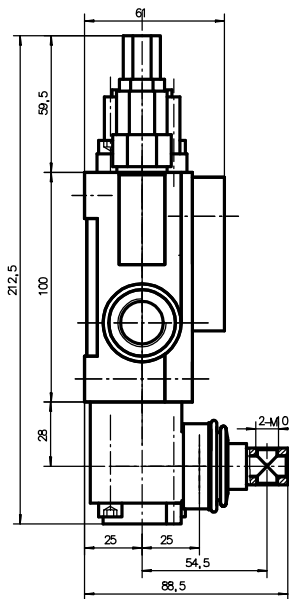
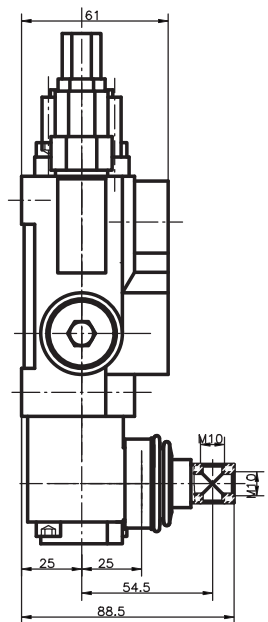


P40-1



P40-2.....P40-7



Model	A (mm)	B (mm)	Net weight (kg)
P40-1	62	96.5	2.76
P40-2	97	141.5	4.57
P40-3	132	176.5	6.07
P40-4	167	211.5	7.68
P40-5	202	246.5	9.11
P40-6	237	281.5	10.7
P40-7	272	316.5	12.2