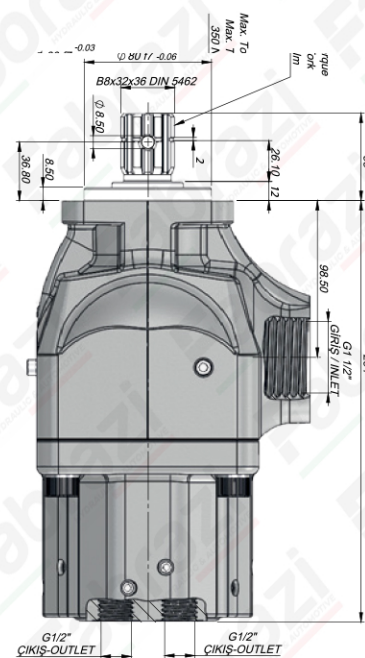
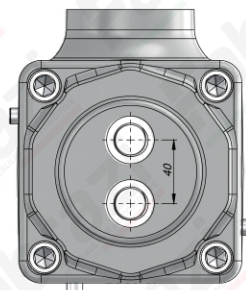
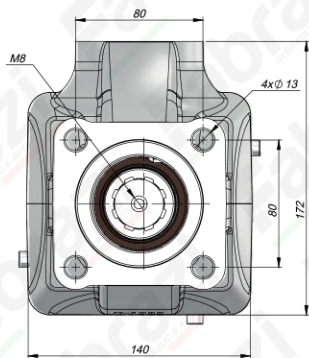


PRODUCT CODE : 110XXXXXX13P

PRODUCT NAME : TWIN FLOW PISTON PUMP ISO BI-DIRECTIONAL



PRODUCT CODE	DISPLACEMENT (cm ³)	MAX. CONT. PRESSURE (Bar-Psi)	MAX. INT. PRESSURE (Bar-Psi) (max 20 sec.)	MAX. PEAK PRESSURE (Bar-Psi) (max 6 sec.)	MAX. CONT. SPEED (rpm)	MIN. CONT. SPEED (rpm)	WEIGHT (kg)
11004504513P	45+45	300	350	400	1500	300	22
11005005013P	50+50	300	350	400	1500	300	22